



CONSTRUCTION

Conveyor Rollers

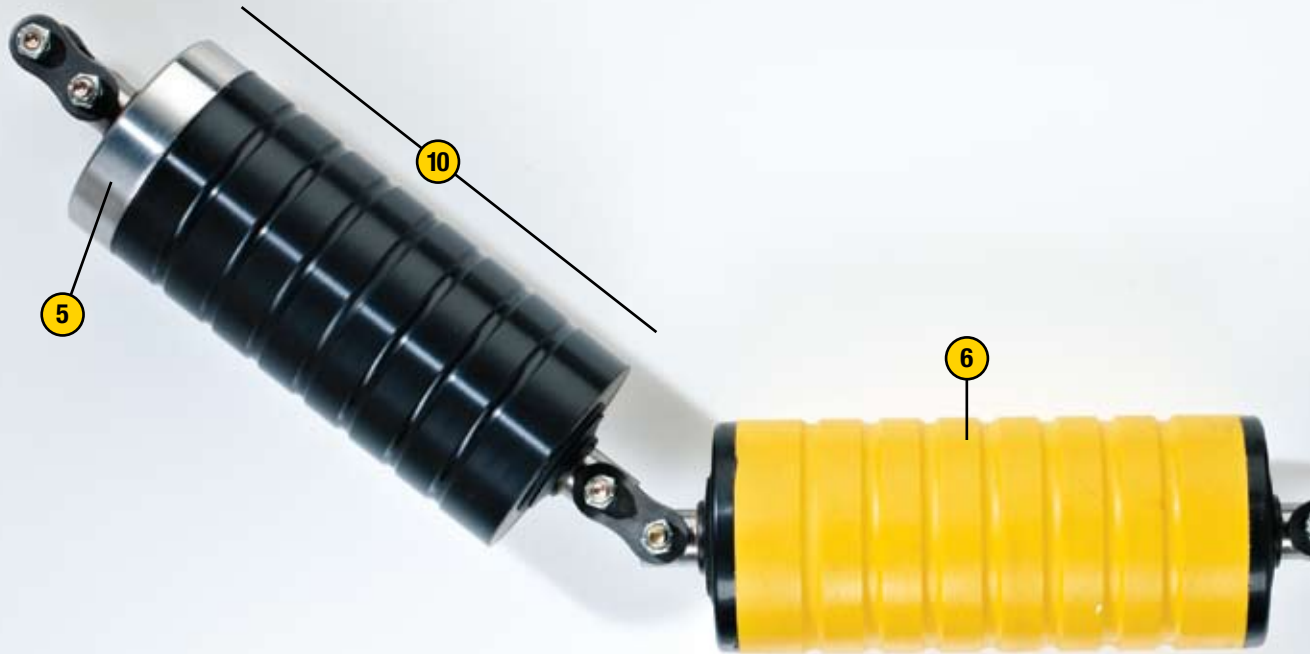


DRILLING | TRENCHING | ROAD REHABILITATION

Now available from Kennametal:

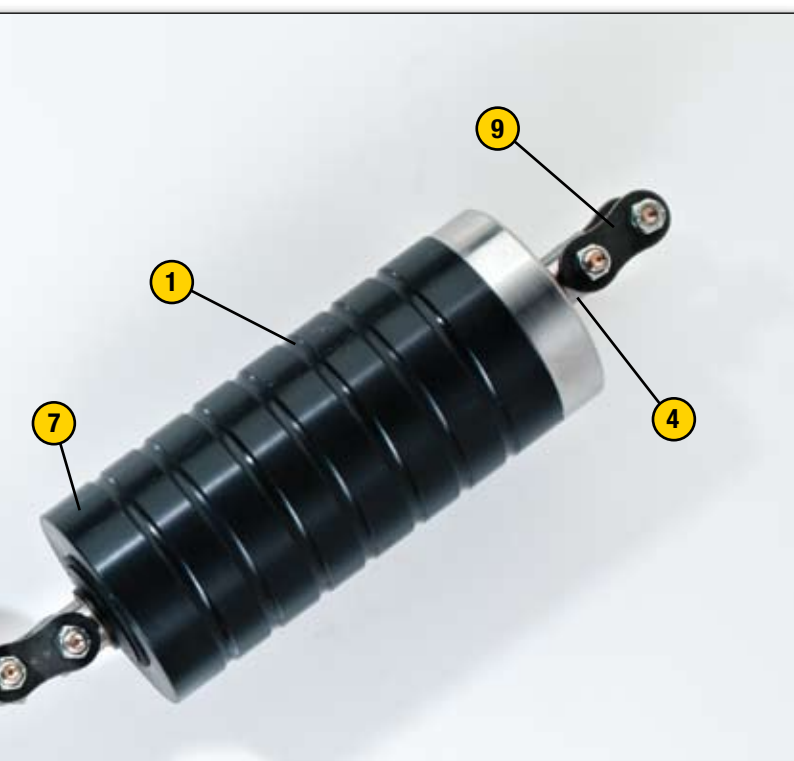
Garland and Flat Return Conveyor

Garland Style



- 1 No rock buildup! That means no extra weight, no damaged belts.
 - 2 Lightweight assembly enables easier installation and handling!
 - 3 Outlasts competitive models!
 - 4 25mm shafts...with ultra-secure, long-life bearings held firmly in place by snap rings!
 - 5 1" steel rings protect wing rolls from excessive wear when belt comes off track.
 - 6 Center segments made of super-tough, heavy-duty urethane-based material.
 - 7 Wing sections are constructed of solid polyethylene (UHMW-PE) for maximum abrasion resistance! In addition, heat buildup and belt damage are minimized.
 - 8 Five wear points prevent roller from being cut in half by "chevron" configuration of belt.
 - 9 Links actually thicker versus OEM offerings!
 - 10 Extra-long design reduces gaps between center and wing rolls, ensuring better belt tracking and maintenance!
- durable
 - economical
 - lightweight
 - warranted

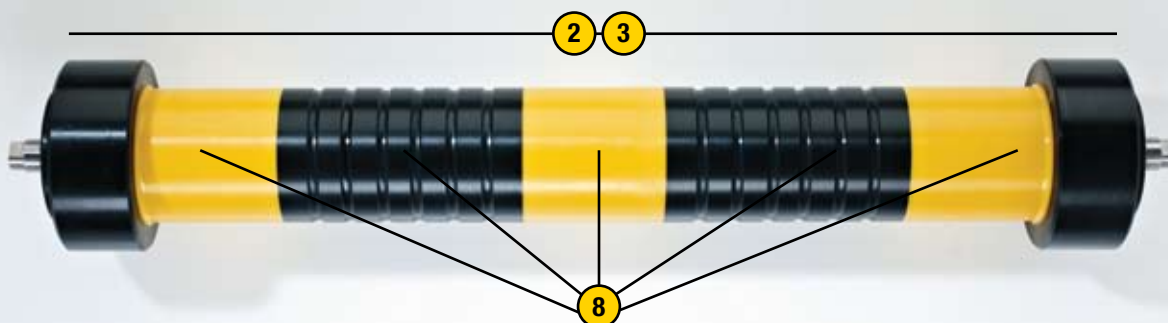
Rollers!



Available for
virtually **ANY**
machine
make!

*Ask your local Kennametal Representative
for complete details!*

Flat Return Style



Proven in the USA's toughest operating conditions!

Kennametal

The proven global leader in the design, manufacture, implementation, and sale of premium-quality tooling systems for underground and surface mining, road rehabilitation, aggregates production, and waste recycling!

United States / Canada / Mexico

Phone: 800.458.3608

Fax: 800.521.3319

mcs-na.service@kennametal.com

Germany / European Served Area

Phone: (49) 6172 737 498

Fax: (49) 6172 737 42 453

mcs-ag.service@kennametal.com

Poland / Slovakia / Baltics

Phone: (48) 32 47 89 100

Fax: (48) 32 47 89 112

Brazil / Latin America

Phone: (55) 19 3936 9200

Fax: (55) 19 3936 9201

Argentina

Phone: (54) 011 4719 0700

Fax: (54) 011 4719 6116

Chile

Phone: (56) 2 2641177

Fax: (001) 888 442 4964

China

Phone: (86) 400 6501 388

Fax: (86) 10 8561 5263

Japan

Phone: (81) 3 3820 2855

Fax: (81) 3 3820 2800

Korea

Phone: (82) 2 2109 6967

Fax: (82) 2 2109 6981

Thailand / Singapore / Vietnam / Philippines

Phone: (66) 2642 3455

Phone: (66) 2246 8025 – 32

Fax: (66) 2641 2736 – 8

Malaysia / Indonesia

Phone: (6) 03 5569 9080

Fax: (6) 03 5569 0080

India

Phone: (91) 80 2839 4321

Phone: (91) 80 2219 8444

Fax: (91) 80 2839 1300

bangalore.information@kennametal.com

Australia / New Zealand

Phone: (61) 7 3801 5844

Fax: (61) 7 3801 5826

sydney.service@kennametal.com

South Africa / Sub Saharan Area

Phone: (27) 11397 3540

Fax: (27) 11397 3222



Kennametal Inc.
1600 Technology Way
Latrobe, PA 15650
USA

WWW.KENNAMETAL.COM